

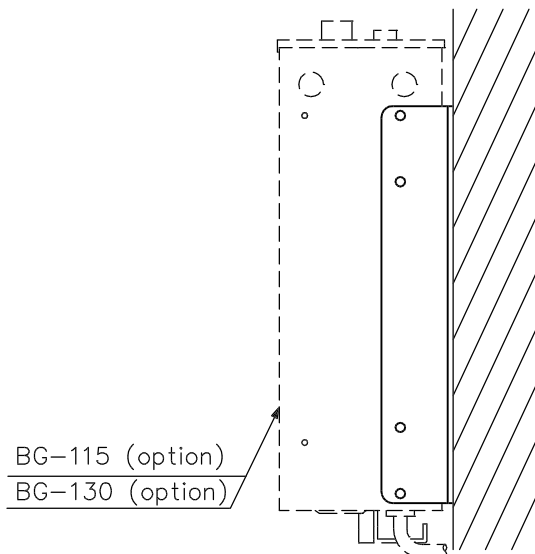
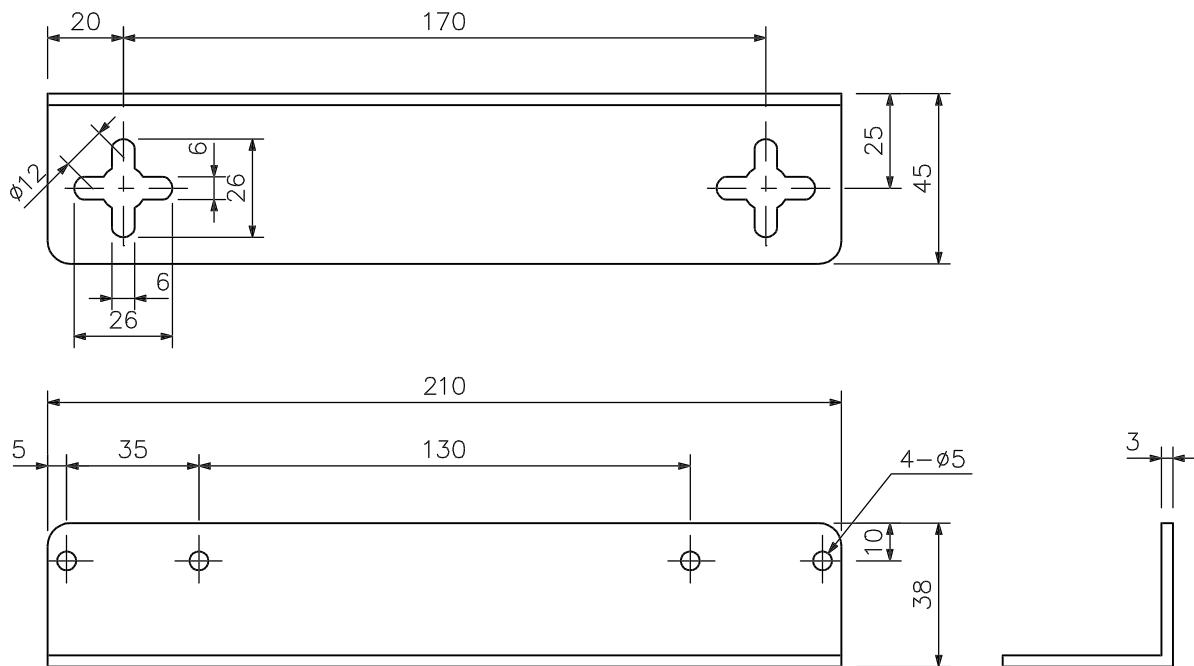
■DESCRIPTION

The WB-900B is to mount a 2-unit size component on the wall.

■SPECIFICATIONS

Finish	Surface treated steel plate, black, 30% glossy, paint
Weight	150 g
Set Composition	Mount bracket 2
Accessory	Rack mounting screw ... 1 set
Usable Unit	BG-115, BG-130

■APPEARANCE



UNIT:mm SCALE:1/2

Wall mounting example